

Product availability: Non-Stock - Not normally stocked in distribution facility



### Main

Range of Product	Modicon X80
Product or Component Type	Encoder interface module
Product Specific Application	For severe environments
Function Available	Offset Modulo Capture Reduction Compare
Number of channels	3 SSI channel
Number of outputs	1 24 V DC reflex digital output for each SSI channel
Number of inputs	2 24 V DC capture digital inputs for the 3 SSI channels

### Complementary

Data format	8...31 bits
Transmission Rate	1 Mbauds 500 kbauds 200 kbauds 100 kbauds
Refresh time	1 ms
Input compatibility	24 V DC SSI absolute encoder 19.2...30 V)200 mA per channel
Dielectric strength	1400 V DC 60 s
[Us] rated supply voltage	19.2...30 V DC, <30 mA 24 V DC, <30 mA typical)
Protection type	Overvoltage protection DC
Current consumption	150 mA 3.3 V DC back plane, (typical) 250 mA 3.3 V DC back plane, (maximum)
Net Weight	0.30 Lb(US) (0.138 kg)

## Environment

Ambient air temperature for operation	-13...158 °F (-25...70 °C)
Operating altitude	0...13123.36 ft (0...4000 m)
IP Degree of Protection	IP20
Protective treatment	Conformal coating
Directives	2014/35/EU - low voltage directive 2014/30/EU - electromagnetic compatibility 2014/34/EU - ATEX directive
Product certifications	CE UL CSA RCM EAC Merchant Navy ATEX zone 2/22 IECEx zone 2/22
Standards	EN/IEC 61131-2 EN/IEC 61010-2-201 UL 61010-2-201 CSA C22.2 No 61010-2-201 IACS E10 EN/IEC 61000-6-5 EN/IEC 61850-3 EN/IEC 60079-0
Environmental characteristic	Gas resistant class Gx ISA S71.04 Gas resistant class 3C4 IEC 60721-3-3 Dust resistant class 3S4 IEC 60721-3-3 Sand resistant class 3S4 IEC 60721-3-3 Salt resistant level 2 IEC 68252 Mold growth resistant class 3B2 IEC 60721-3-3 Fungal spore resistant class 3B2 IEC 60721-3-3 Hazardous location class I division 2

## Ordering and shipping details

Category	18160 - MODICON M340
Discount Schedule	PC34
GTIN	3595864156613
Nbr. of units in pkg.	1
Package weight(Lbs)	6.42 Oz (182 g)
Returnability	No
Country of origin	FR

## Packing Units

Unit Type of Package 1	PCE
Package 1 Height	2.17 In (5.5 cm)
Package 1 width	4.33 In (11 cm)
Package 1 Length	4.72 In (12 cm)
Unit Type of Package 2	S02
Number of Units in Package 2	15
Package 2 Weight	6.96 Lb(US) (3.156 kg)
Package 2 Height	5.91 In (15 cm)
Package 2 width	11.81 In (30 cm)
Package 2 Length	15.75 In (40 cm)

## Offer Sustainability

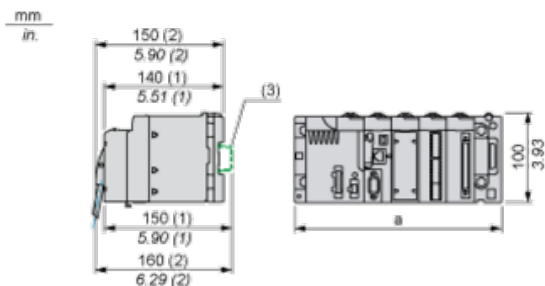
Sustainable offer status	Green Premium product
California proposition 65	WARNING: This product can expose you to chemicals including: Lead and lead compounds, which is known to the State of California to cause cancer and birth defects or other reproductive harm. For more information go to <a href="http://www.P65Warnings.ca.gov">www.P65Warnings.ca.gov</a>
RECh Regulation	<a href="#">RECh Declaration</a>
RECh free of SVHC	Yes
EU RoHS Directive	Pro-active compliance (Product out of EU RoHS legal scope) <a href="#">EU RoHS Declaration</a>
Mercury free	Yes
RoHS exemption information	<a href="#">Yes</a>
China RoHS Regulation	<a href="#">China RoHS Declaration</a>
Environmental Disclosure	<a href="#">Product Environmental Profile</a>
Circularity Profile	<a href="#">End Of Life Information</a>
WEEE	The product must be disposed on European Union markets following specific waste collection and never end up in rubbish bins.

## Contractual warranty

Warranty	18 months
----------	-----------

Modules Mounted on Racks

Dimensions



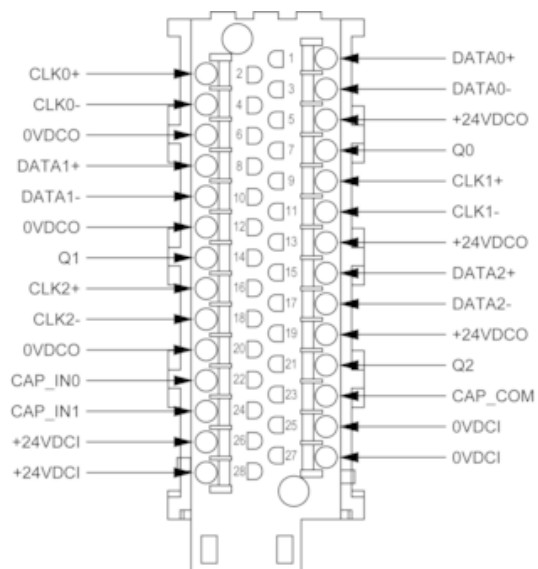
(1) With removable terminal block (cage, screw or spring).

(2) With FCN connector.

(3) On AM1 ED rail: 35 mm wide, 15 mm deep. Only possible with BMXXBP0400/0400H/0600/0600H/0800/0800H rack.

Rack references	a in mm	a in in.
BMXXBP0400 and BMXXBP0400H	242.4	09.54
BMXXBP0600 and BMXXBP0600H	307.6	12.11
BMXXBP0800 and BMXXBP0800H	372.8	14.68
BMXXBP1200 and BMXXBP1200H	503.2	19.81

Wiring Diagram



Product Life Status : Commercialised